



ADM-2121AX

Waterproof 21.5-inch KVM Extender Integrated LCD Display Monitor

Features

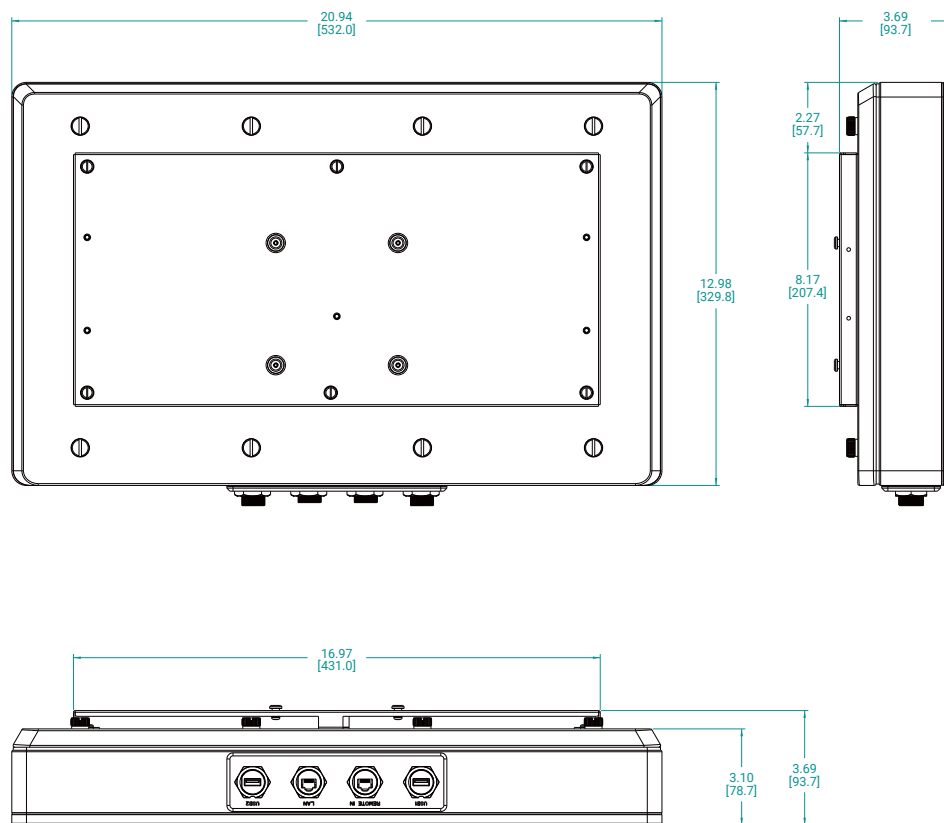
- 21.5-inch LCD Display, 1920 x 1080 resolutions
- Project Capacitive Touch Screen supports multi-touch
- Waterproof Stainless-Steel Enclosure
- Enclosure meets IP65 / NEMA 4X requirements
- Single CAT6 cable connection to KVM Transmitter
- Powered by Transmitter
- Built-in a 2-port USB 2.0 hub to support multiple USB devices.
- Built-in a 1-port 100BaseT Ethernet pass-through

Specifications

Model Name	ADM-2121AX
LCD Display	
Display Size (Diagonal)	21.5"
Max Resolution	1920 x 1080
Backlight Lifetime (Hours)	50,000 hours
Visual Characteristics	
Colors	16.7 million
Aspect Ratio	16:9
Viewing Angle (V/H)	178° / 178°
Contrast Ratio	1000:1
Brightness	250 nits
Input Interface	
VGA	N/A
DVI	N/A
HDMI	Via HDMI Transmitter
Display Port	N/A
CVBS	N/A
YPbPr	N/A
Touchscreen	
Technology	Projected Capacitive
Interface	USB
Driver	Win 7, Win10
Enclosure	
Enclosure	Stainless Steel
Protection	Meets NEMA 4X
Power/Thermal Specs	
Power Requirement (Max)	Powered By HDMI Transmitter
Power Consumption (Max)	23 W
Recommended Power Supply	32 W
Heat Dissipation	77 BTU/hr
Physical Information	
Mounting	Pedestal, VESA, Wall mount, Benchttop Options
Net Weight	--
Dimension (W x H x D)	21.15 x 12.98 x 3.69 inch 537.2 x 329.8 x 93.7 mm
Recommended Cutout Dimension (WxH)	N/A
Environmental	
Operating Temperature	0°C to 50°C (32°F to 122°F)
Storage Temperature	-20°C to 60°C (-4°F to 140°F)
Humidity	5% to 95% non-condensing
Rating	Meets NEMA 4X
Certification	N/A

Dimension Drawing

Model Name: ADM-2121AX
Size Unit: inch(mm)



Ordering Information

Item	ADM-2121AX-00A
LCD Display	21.5" LCD / 1920 x 1080
Touch Screen	PCAP
Mounting	Multiple Options
Enclosure	Stainless Steel
Extender Video Input	HDMI via HDMI Transmitter
Power Supply	Powered by HDMI Transmitter